



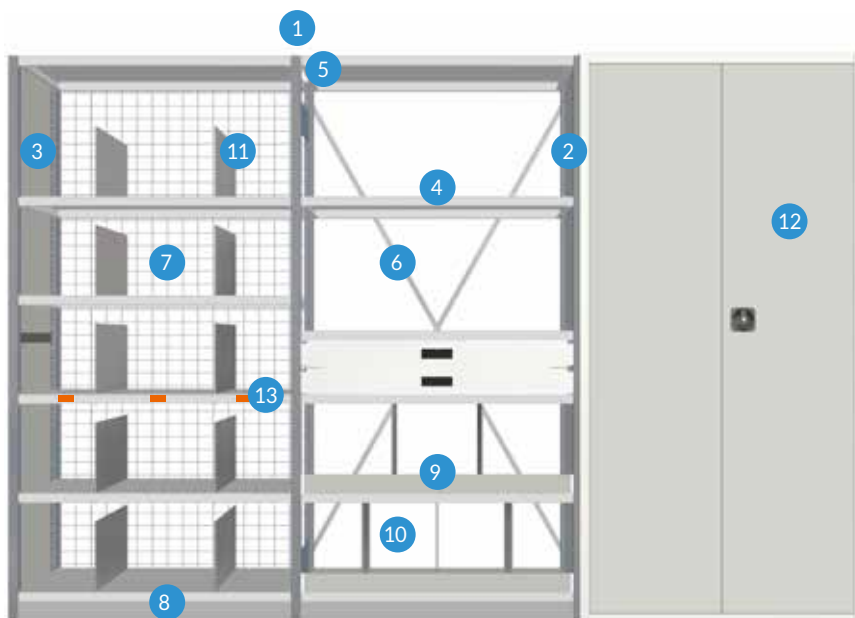
**stow** 

**STOWSHELF®**

The industrial shelving system.

# INDUSTRIAL SHELVING SYSTEM

Our industrial shelving system is designed for light to medium heavy loads of up to 250 kg/shelf by virtue of its built-in box beam design. Multitier installations are also available as the frame can take loads of up to 6000 kg.



1. The upright
2. The closed frame
3. The end frame
4. The shelf
5. The shelf clip
6. The back bracing
7. The back mesh
8. The plinth
9. The bin front
10. The full height divider
11. The half height divider
12. The door with lock
13. The labeling

## DIMENSIONS & CAPACITY

Lengths: 965 - 1265 mm  
Depths: 300 - 400 - 500 - 600 - 805 mm  
Load capacity: from 35 kg up to 250 kg

- Other lengths / depths on request.

### ( CLEAR BENEFITS FOR EVERY APPLICATION )

› Complies with the European FEM and EN regulations; quality assured to ISO 9001.  
› Computer aided design ensuring the best solution for every application, including static calculation

› All components have been thoroughly tested in specialized laboratories.  
› Fully automated production to a high quality standard and in a cost-effective way





## SHELVING FRAME & UPRIGHTS

The frame comprises two shelving uprights and a frame bracing system. The rectangular side holes in the uprights allow mounting of the shelf clips at a pitch of 25mm. The round holes are for bolting or riveting of the various kinds of bracing systems.

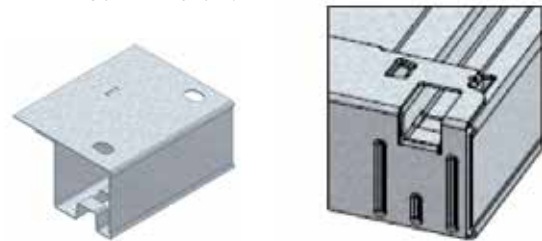
### THE SHELVES: A UNIQUE DESIGN

- The length of the shelf corresponds with most types of cartons and plastic containers.
- The box-shaped edge will not twist under load.
- The front profile is ideal for fixing labels.
- The short side of the shelf is triple folded.

- The double folded corners, which are clinched, give a high rigidity and high resistance against impact loads.
- The edges are not sharp, avoiding injuries.
- The shelves are perforated every 53mm, allowing shelf dividers to be mounted.

### THE SHELF CLIP

The shelves are supported in each corner on the clips. They are adjustable in height every 25mm. The clip is embedded in the shelf resulting in a maximum free space. The rounded edges and flush design into the shelf prevent from injuries during goods picking.



### VARIOUS ACCESSORIES

Basic accessories are amongst others foot-plates, leveling plates and double rack connectors. Options are end caps, bin fronts, full and half height dividers, steel drawers with dividers, back and side panels, double door sections with lock, ....



half/full divider

wire divider



bin front



garment hanger



## THE FRAMES

The frame comprises two shelving uprights and a frame bracing system.

Three types of frames are available: the open frame, the closed frame and the braced frame.



The open frame:

The standard open frame with horizontal braces. To be used in single tier installations of up to 4.5 m height, depending on the configuration & local regulations up to 1.200 kg bay load.



The closed frame:

The closed frame with intermediate panels. For either low or high bay installations. Depending on the configuration & local regulations up to 4.000 kg bay load.



The braced frame:

The open frame with diagonals. To be applied in multitier installations and for storing heavy loads. Depending on the configuration & local regulations up to 4.000 kg bay load.

- Finish : galva.

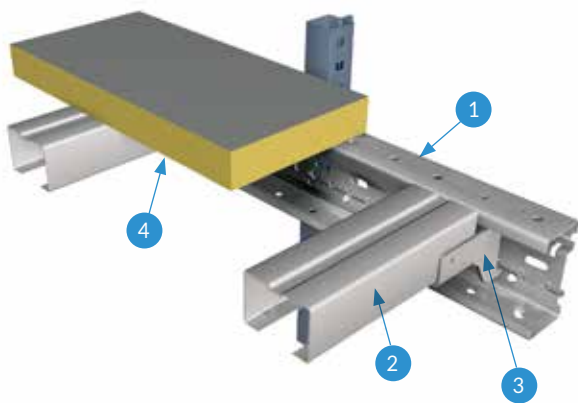
### ( CLEAR BENEFITS FOR EVERY APPLICATION )

- › Complies with the European FEM and EN regulations; quality assured to ISO 9001.
- › Computer aided design ensuring the best solution for every application, including static calculation

- › All components have been thoroughly tested in specialized laboratories.
- › Fully automated production to a high quality standard and in a cost-effective way

# MULTITIER FLOORING SYSTEMS

Both, Stowshelf® and Midi Rack® can be equipped with floors and stairs to create multitier applications. Two types of flooring systems are commonly used: either intermediate walkways, floor-over systems or a combination of both. For normal walkways a uniformly distributed load of 350 kg/m<sup>2</sup> is generally used. For hand-operated trucks or for storage of goods other load capacities may be specified (500 to 1000 kg/m<sup>2</sup>).



- 1/ The main beam: continuous perforated C-profile, connected to the frames.
- 2/ The purlin: reduces the span of the wooden decking. The design allows mounting lighting and other accessories.
- 3/ The purlin connector: provides the boltless connection of the purlins to the main beams.
- 4/ The decking.

## FLOOR DECKING

In general a wooden decking or a grating floor is applied. The wooden decking is a high density chipboard, with a white finish at the underside and optionally an anti-slip coating at the upperside.





# we rack the world

[www.stow-group.com](http://www.stow-group.com)

Headquarters:

Stow International nv • Industriepark 6B, 8587 Spiere-Helkijn, Belgium • [info@stow-group.com](mailto:info@stow-group.com)

Stow Austria

Stow Belgium

Stow ČR

Stow Deutschland

Stow France

Stow Nederland

Stow Poland

Stow Slovakia

Stow U.K

Stow Turkey

Stow Spain

Stow Portugal



Stow International



Stow Pallet Racking



@Stow\_INT



@stow\_group



stowgroup

© Copyright 2019

STOW INTERNATIONAL NV

All rights reserved:

We reserve the right to make changes or technical modifications to all products and content within the catalogue.

v5 September 2019